

**Specification of: RDM 56-3545-6W-10**

**Smoke Extract Roof Fan Nicotra Gebhardt genovent**

ensuring a turbulence free discharge and suitable for smoke extraction in the case of fire up to +400 °C -120 minutes. Tested to DIN EN 12101-3, snow load class requirements SL 1000 assigned and CE- certified (Certificate of EG conformity 0036-CPR-RG01-15). Assigned for mounting over heated and unheated rooms. The product series RDM 56/57 is approved according to EN 12101-3. In recent additions to this standard, separate tests of integrated ventilation flaps are provided, which are not part of our certification; for this reason, we point out as a precaution that when installing on site, a suitable wind protection, or the avoidance of higher possible wind loads, must be provided. Stylish sealed casing manufactured from aluminium. Base frame of galvanized sheet steel for fitting to upstand, projecting well beyond the upstand in order to increase weatherproofing. Discharge equipped with automatic backdraught shutters protecting the unit inside against weather at standstill. Centrifugal impeller with backward curved blades of steel, welded and coated. All parts submitted to mechanical stresses are made of galvanized steel sheet. The motor is located in a thermally insulated compartment and fully out of the main air stream, additionally cooled by a separate flow. Feed cable passing housing at the front side protected by metal tube The fitting plate for installation of the service switch or connection box is part of delivery (but loose) Performance data in according DIN 24166 tolerance class 2 (BS 848 Class "B").

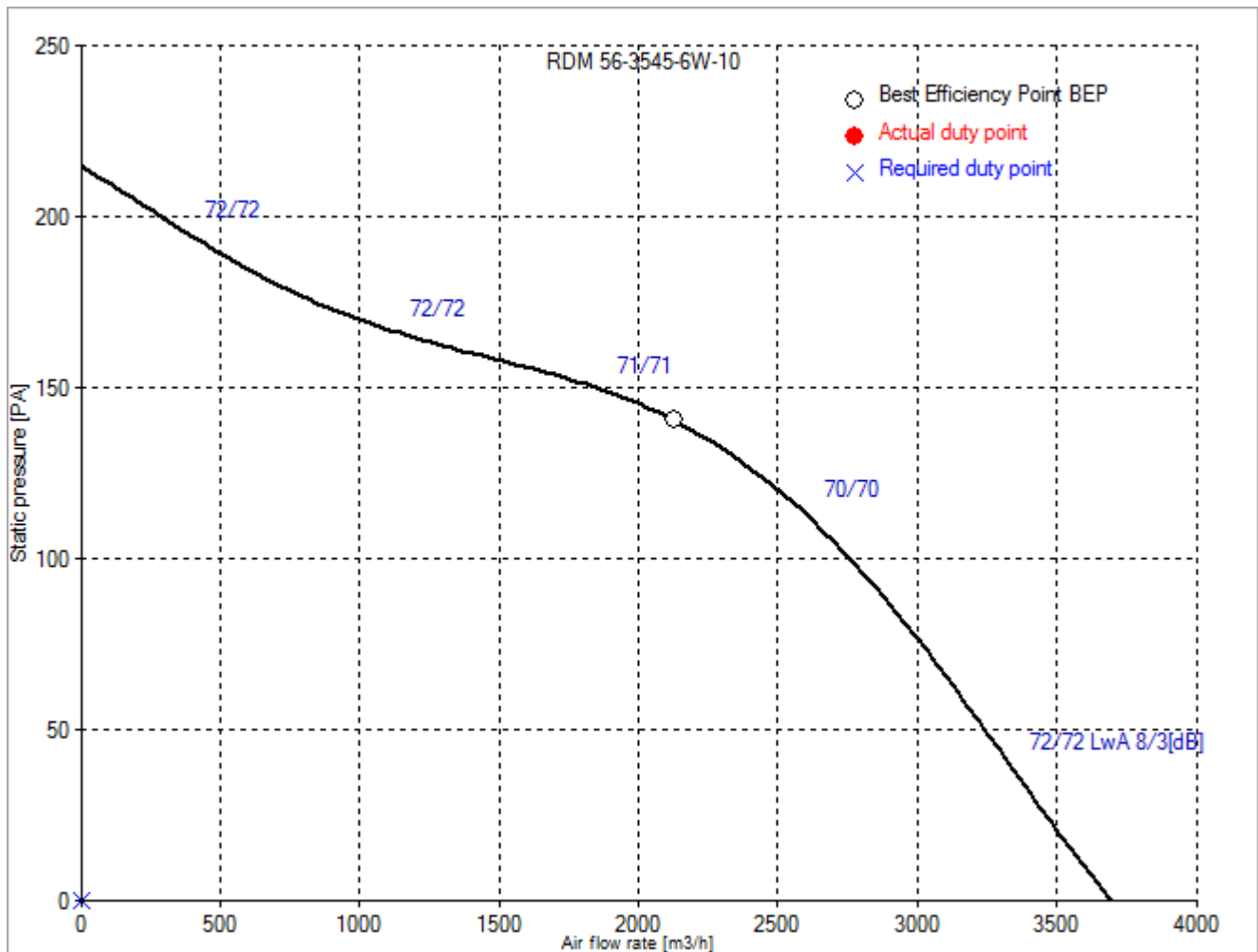


**Technical data of the fan: RDM 56-3545-6W-10**

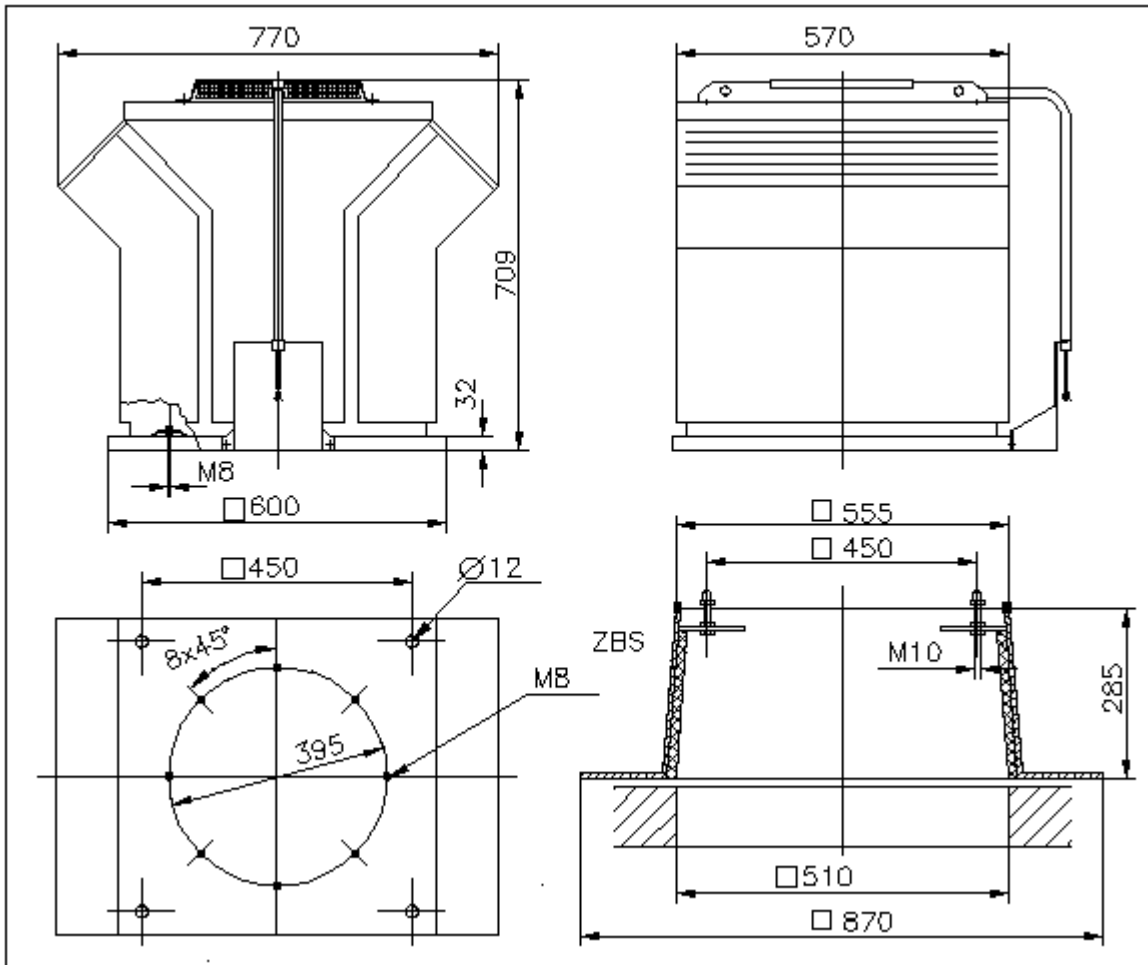
EU regulation 1253/2014 not applicable

Description	Value Dimension
<b>Specified duty point</b>	
<b>Actual duty point</b>	
Installation acc. DIN 24163 Part 1	A
Reference density (Rho1)	1.15 kg/m <sup>3</sup>
Medium temperature (t)	20 C
Fan weight	50 kg
<b>Rated data</b>	
Phases-Voltage-Frequency	3~230/400-50 V-Hz
Frame size-poles:	80a / IE 2-6
Motor rating (P <sub>N</sub> )	0.37 kW
Rated motor speed (n <sub>N</sub> )	925 min <sup>-1</sup>
Rated motor current (I <sub>N</sub> )	2,0/1,14 A
Max. temperature t <sub>max</sub> , admitted for 120 min only	400 C
<b>operational limits</b>	
Max. fan speed (n <sub>vmax</sub> )	1000 min <sup>-1</sup>
Max. operating frequency (f <sub>max</sub> )	50 Hz
Temperature range of conveying medium (t <sub>min</sub> ...t <sub>max</sub> )	-20...80 C

## Fan curve to RDM 56-3545-6W-10



## Dimensions to RDM 56-3545-6W-10



Rotation:  
Handing:

RD  
90